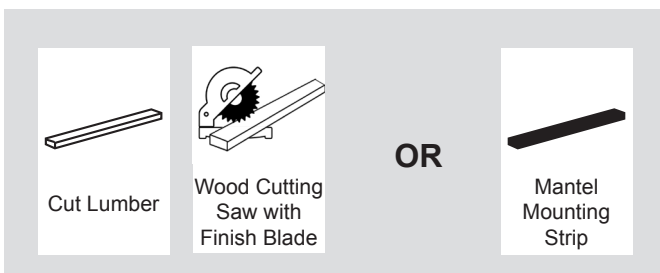




# Mantel Installation Instructions

## General Tools and Materials:

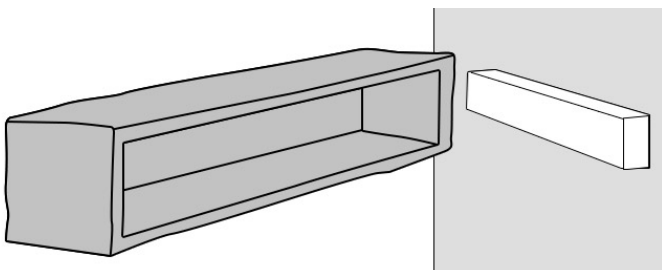


## 24 Hours Before Starting

- Ensure surface is structurally sound and in good condition. Surfaces such as drywall should be flat and smooth to minimize gaps.
- Acclimate all materials by storing them flat in the installation location (but away from moisture and direct sunlight or other heat sources) for at least 24 hours.
- Gather all tools and materials.

## WARNINGS:

- Leave a 1/8" gap between the mantel (or mantel & corbel) and any adjacent material(s).
- Be sure to obey all safety rules and recommendations set forth by tool manufacturers.
- Always follow any, and all, local, state, and federal building codes.
- Always comply with clearances set forth by the manufacturer of stoves, fireplaces, furnaces, and any other heat source.
- Our faux mantels are durable, but are for decorative use only. Mantels are not intended to support heavy weight.
- Wear safety glasses during the entire installation process.
- Our products may have screws embedded below the surface. We recommend using a hand saw (not power tools) when cutting these products. You may find these screws with a stud finder. Barron Designs is not responsible for any bodily harm or damage to your equipment.



# Mantel Installation Instructions

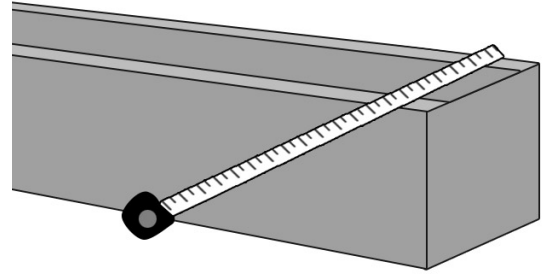
## 1 Measure the Inside Dimensions of the Mantel

*Skip to Step 3 if you purchased a mounting strip along with your mantel.*

Turn mantel over on a soft, clean surface and measure the interior dimensions.



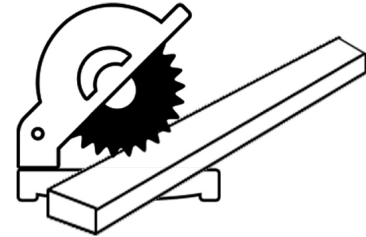
Tape Measure



## 2 Cut Lumber to Fit

1. Cut and/or rip the lumber so that it fits inside the mantel with at least 1/8" clearance.
2. Dry fit the cut lumber inside the mantel to be sure that it does not have to be forced.

**NOTE:** For deep mantels we recommend stacking two pieces of lumber to create the mounting block.



Lumber



Wood Cutting Saw with Finish Blade

## 3 Locate Studs

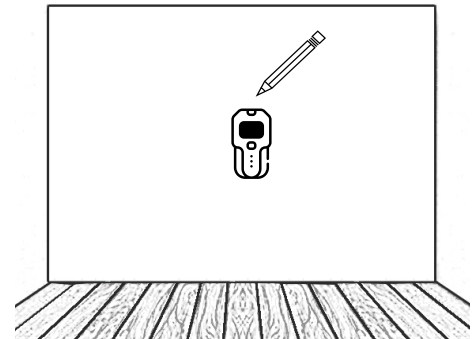
Using a stud finder mark each location with a pencil.



Stud Finder



Pencil



## 4 Level and Secure Lumber

1. Create a level line one inch below where you want the top of the installed mantel.
2. Attach the lumber to the wall at the level line by screwing the deck screws through the lumber and into the studs. Use mollies/anchors if there are no studs.



Pencil



Laser / Level



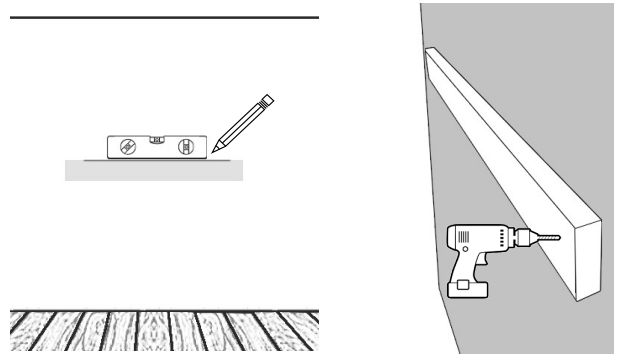
Screw Gun / Drill Driver & Bits



Mollies/ Anchors



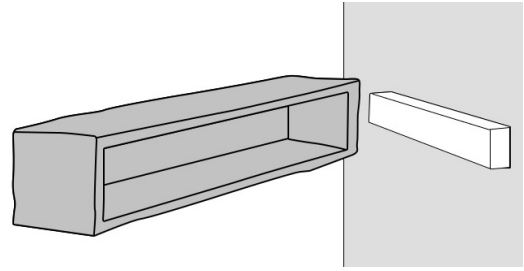
Deck Screws



# Mantel Installation Instructions

## 5 Dry Fit Mantel

Before securing the mantel make sure it fits over the cut lumber.



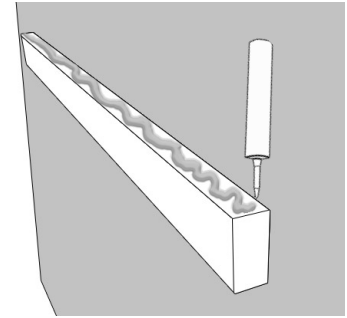
## 6 Apply Adhesive

Apply Loctite PL Premium Advanced 3X Construction Adhesive to the top of the mounted lumber.



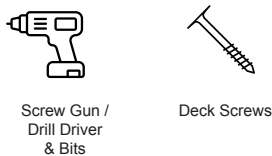
Loctite® PL®Premium®  
3X Construction Adhesive

Caulk Gun



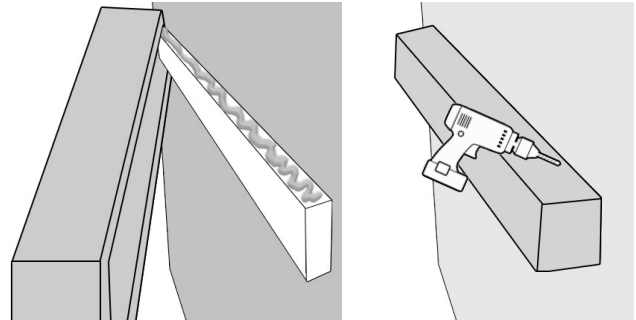
## 7 Install & Secure Mantel

1. Slide the mantel over the mounted lumber.
2. At the top of the mantel, use the deck screws and toe screw the mantel to the lumber. Recess the screws about 1/8". Be careful not to over tighten.



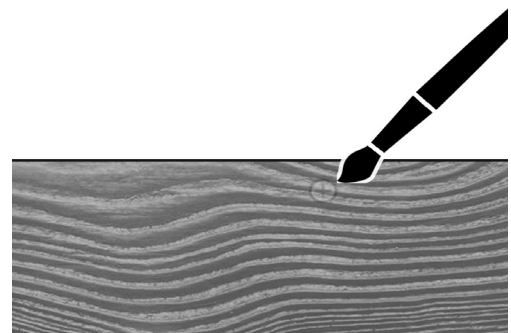
Screw Gun /  
Drill Driver  
& Bits

Deck Screws



## 8 Touch Up

1. Apply color complimenting textured caulk to fill screw holes. Blend caulk into adjacent surfaces while it is still wet.
2. Use paint from the touch-up kit to paint over the caulk.



Painters Tape

Clean Cloth

Caulk

Caulk Gun

Touch-Up Kit

Small  
Paint Brush